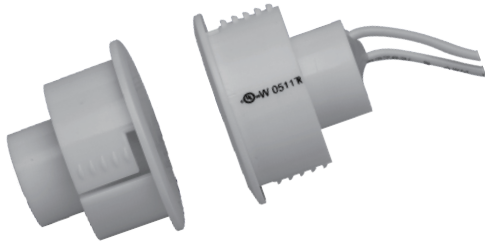


SD-80

RECESSED CONTACTS

1"(25mm) Steel Door Recessed Type



Contact Size: 1"×.84"(25mm×21.3mm)

Standard Magnet Size: 1"×.84"(25mm×21.3mm)

Standard Gap: 1.1"(28mm)

Colors: White, Brown, Black

12"(305mm) 22 AWG Leads Standard

Longer leads available.

Specifications

Part Number	Gap Inch(mm)	Loop Open/Closed	Reed Form	Max. Contact Rating (W)	Max. Initial Contact Resistance (mΩ)	Max. Switching Voltage (V)	Max. Switching Current (A)
SD-80	1.1"(28)	CLOSED	Normally Open	10	100	AC110/DC100	0.5
SD-81	1.1"(28)	OPEN	Normally Closed	3	100	AC30/DC30	0.2
* SD-80 WG	1.26"(32)	CLOSED	Normally Open	10	100	AC110/DC100	0.5
* SD-82	1.1"(28)	SPDT	SPDT	3	100	AC30/DC30	0.2
* SD-84	.75"(19)	DPDT	DPDT	3	100	AC30/DC30	0.2

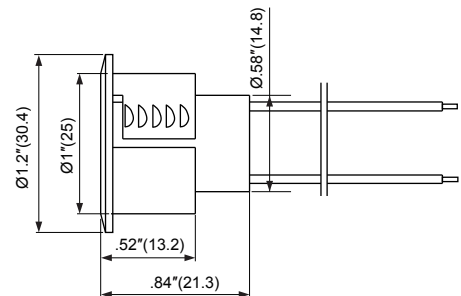
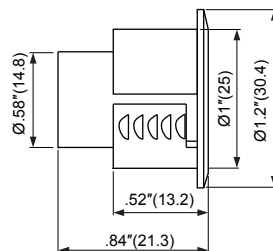
OPERATING TEMPERATURE:-40°C to +60°C

*Not UL Listed

Outline Dimensions

Unit: inch(mm)

SD-80/SD-81



The Best Industry Guarantee Since 1984®
TANE ALARM PRODUCTS

906 JERICHO TURNPIKE, NEW HYDE PARK, NY 11040

Tel: 800-852-5050 • 516-328-3351 • Fax: 516-326-9125

www.tanealarm.com • E-MAIL: info@tanealarm.com

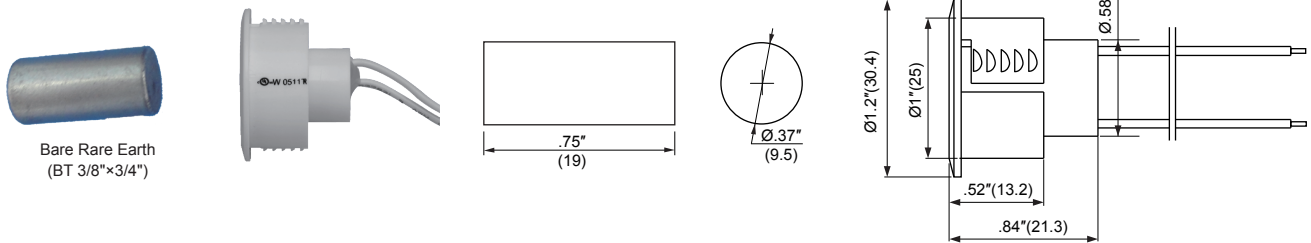
SD-80

RECESSED CONTACTS

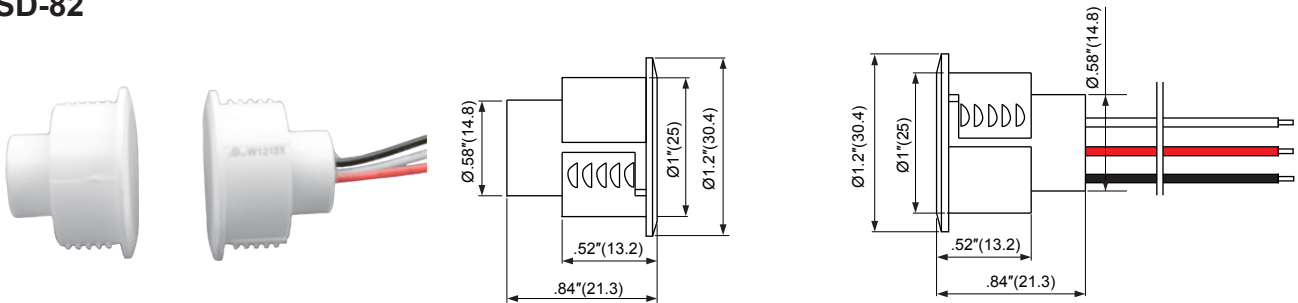
Outline Dimensions

Unit: inch(mm)

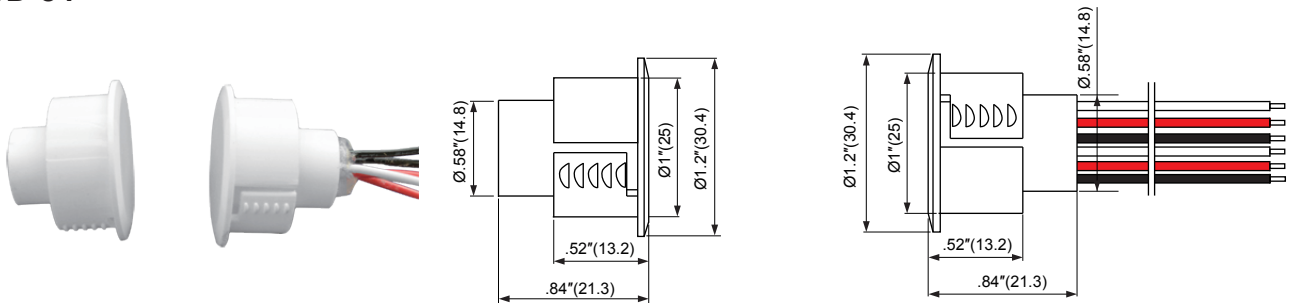
SD-80 WG



SD-82

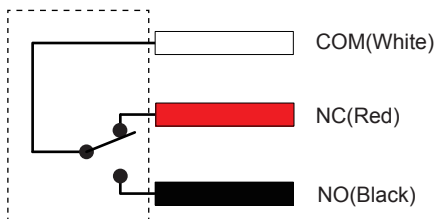


SD-84

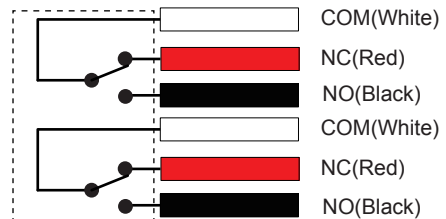


Wiring Diagram

SD-82



SD-84



The Best Industry Guarantee Since 1984®
TANE ALARM PRODUCTS

906 JERICHO TURNPIKE, NEW HYDE PARK, NY 11040
 Tel: 800-852-5050 • 516-328-3351 • Fax: 516-326-9125
 www.tanealarm.com • E-MAIL: info@tanealarm.com